

Origo™-Tech 9-13 Welding Helmet Variable Shade ADF

The latest design in ADF helmet. The Origo-Tech is available in 2 striking colours, Yellow & Black, finished in a high gloss paint, which allows longevity of look and style. The helmet is equipped with a 9-13 variable shade ADF, which extensive field trials and tests have found the unit to be extremely efficient & reliable.

Lightweight, the helmet is designed from a very durable A801 material, which allows for position welding, with increased comfort and reduced fatigue to the welder.



Features & Benefits

Head Gear

4 Position Settings – This ensures the wearer has the perfect fit across the head area

Large Rear Adjustment Knob – This allows the wearer to adjust whilst wearing thick welding gauntlets

High Quality Sweat Band – This offers increased comfort to the wearer

Robust Nylon Construction – This strong material provides a firm foundation for the helmet shell, and is extremely durable

Rear Pivot Pad – This allows for the perfect head fit, and highly adaptable to all head shapes

Standards

CE Certified

ANSI Approved

Helmet

Full Face Protection – Offering protection to the face, chin, throat & head area, providing complete facial coverage from sparks, heat and radiation

Flat Top Brow – This allows for easy put downs, and will help to reduce scratching of the outer lens

High Gloss Finish – With strong visual impact & styling the shell can also be easily wiped of dust and dirt

Extremely Reliable – The helmet functions on an extremely reliable ADF filter, which is always active, with no On/Off switch

Solar Cell Technology – The ADF uses solar cell technology which means there is no battery change needed.

Light Seal Cradle - The new Light Seal Cradle not only shuts out any Welding Arc Light, but it also introduces a Convex curve to the front spatter lens. This provides extra security and strength and a healthy air gap for the ADF.



Technical Data

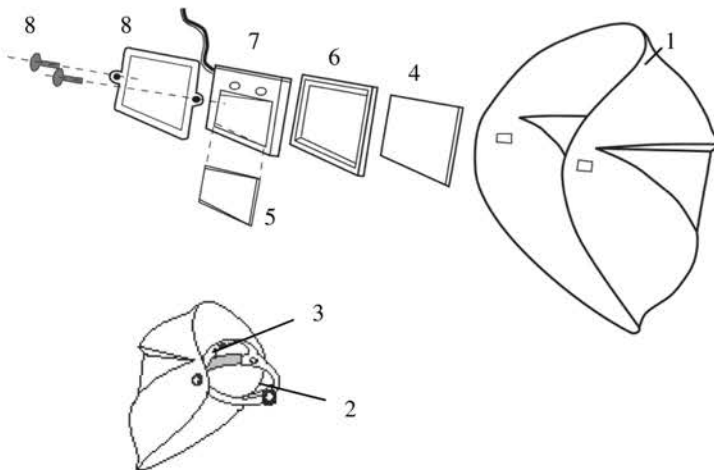
Viewing area 96 x 42 mm
 Weight (ADF) 99g with inner protection lens
 Total Weight Helmet – 525g
 Open state shade 4
 Closed state shade 9-13
 Shade adjustment – External Potentiometer
 Sensitivity adjustment – Internal Variable
 Delay adjustment – Internal Variable
 Switching time at -5°C : 0.0008ms
 Switching time at +25°C : 0.0005ms
 Switching time at +55°C : 0.0002ms
 Clearing time : 0.1 – 1.0s
 UV / IR Protection : UV15 / IR14
 Temperature Range : -5 / +55 Degrees C
 TIG detection : >20amps
 Energy supply – Solar Cells / No battery charge

Ordering Information

1 Origo-Tech 9-13 Black	0700 000 296
1 Origo-Tech 9-13 Yellow	0700 000 298

Spare Parts

2 ESAB Head Gear Pro	0700 000 243
3 Sweat Band Head Gear Pro	0700 000 244
4 Front Cover Lens Origo-Tech	0700 000 245
5 Inside Cover Lens Origo-Tech	0700 000 246
6 ESAB 9-13 ADF Cradle	0700 000 235
7 ESAB VS ADF 9-13	N/A
8 Lens Retainer with Screws	0700 000 237



Quality accessories for the quality welder

ESAB offers a wide range of accessories. The complete range, along with product information, is available at our local web-sites, look at www.esab.com or contact your local ESAB dealer.

Unrivalled service and support

Our commitment and ability to deliver the expected service and support starts immediately after the order is confirmed. We endeavour to offer our customers an After Sales service, which is second to none. A strong and skilful service organisation is prepared to offer service and maintenance, calibration, validation and upgrading of equipment and software.

The service organisation will offer standardised solutions for the reconditioning or modification of existing products.

Spare and wear parts are manufactured according to ESAB's quality plan. Exchange Printed Circuit Board (PCB), exchange modules and components are available for all our products in order to reduce downtime to an absolute minimum. ESAB is continuously upgrading authorised service partners for local service support. Customers who have their own service and maintenance personnel will always be offered a service-training package as part of a total ESAB offering. However, product and process training for end-users will form an additional part of the ESAB offering. Always ask your ESAB sales representative or distributor for a complete ESAB solution.



ISO 9001:2000

