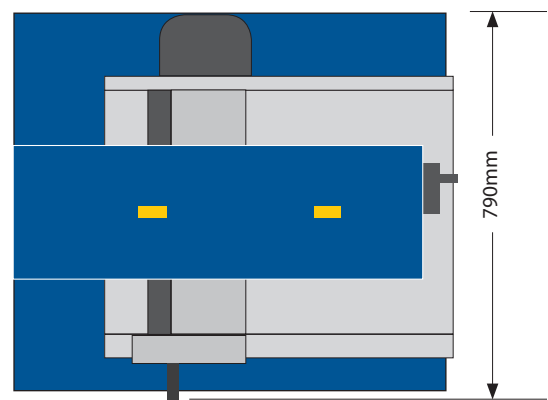
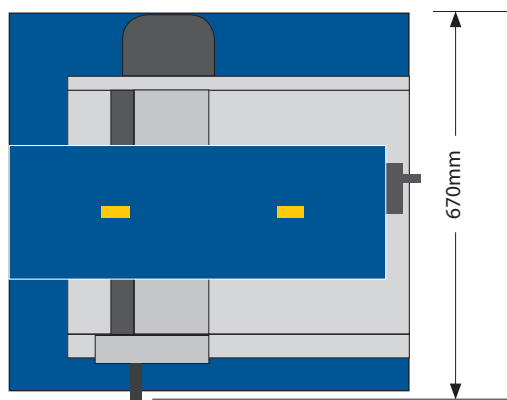
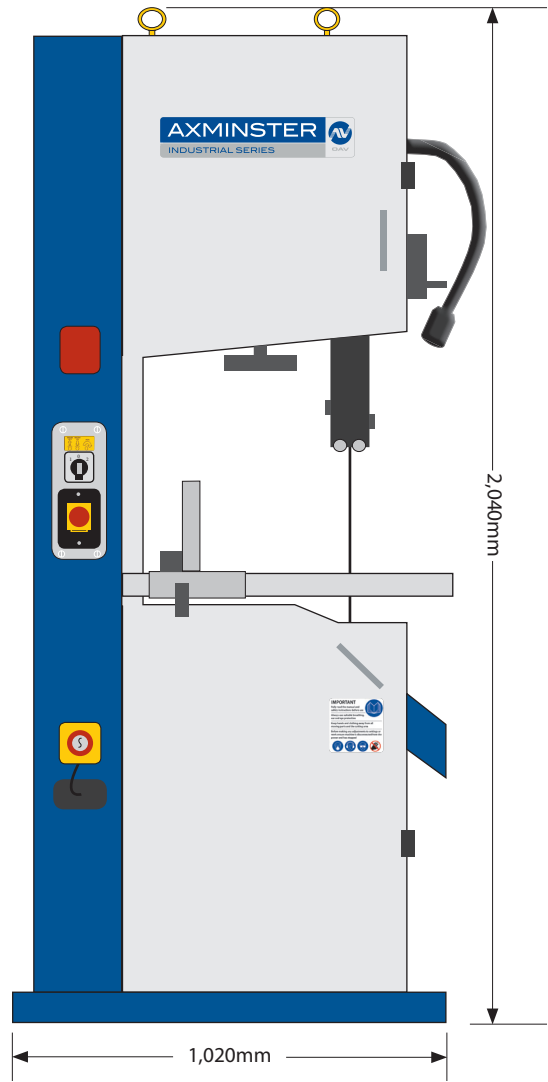
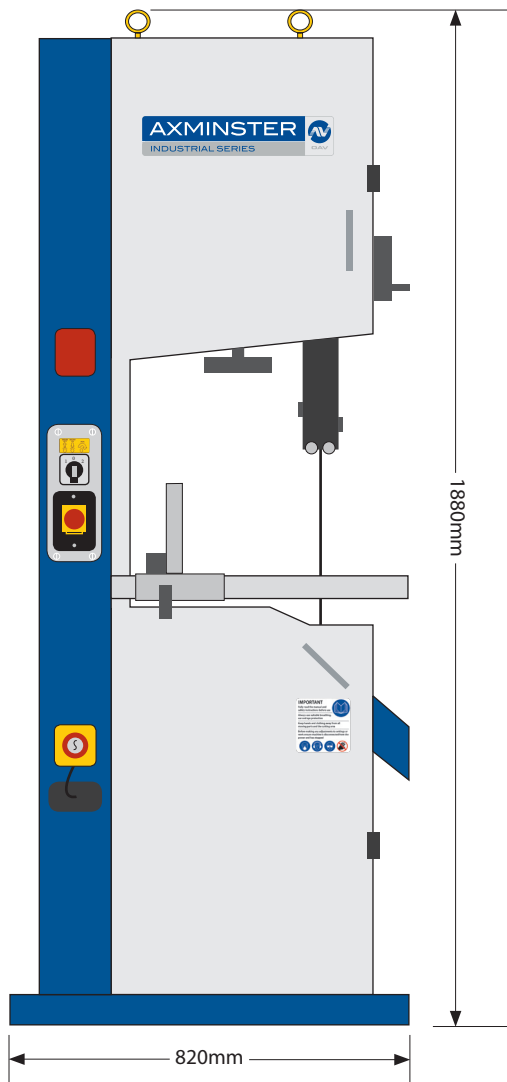


Machine Footprint



Code: 700355 AP4300T/1 Industrial Bandsaw

Code: 501218 AP5300T/2 Industrial Bandsaw